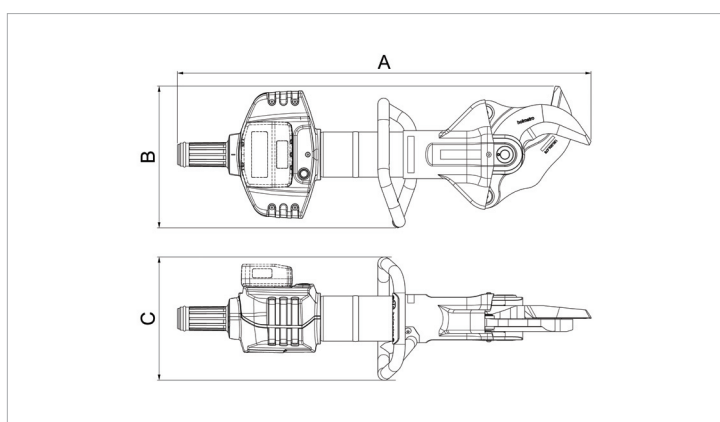


**Cutter | GCU 5050 i EVO 3 (excl. battery)**

**Specifications**

article number	158.052.201	
model	GCU 5050 i EVO 3 (excl. battery)	
short description	Cutter	
max. working pressure	psi	10443
max. cutting opening	in	7.2
theoretical cutting force	lbf	312260
protection rate	IP54	
sound emission @ 1m/3.25ft	dB(A)	76
sound emission @ 4m/13ft	dB(A)	67
hydraulic oil type	ISO-L HV VG 15/22	
NCT	✓	
cutter jaw	inclined	
weight, ready for use	lb	47.6
temperature range	°F	-4 + 131
weight excl. battery	lb	45.4
dimensions (AxBxC)	in	35.4 x 11.7 x 10.6
round bar (NFPA 1936)	in	1.5
EN 13204 compliant	Yes	
EN 13204 classification	BC165K-21.6	
EN 13204, cutting capacity	1K 2K 3K 4K 5K	
NFPA 1936 compliant	Yes	
NFPA 1936, cutting capacity	A8 B8 C7 D9 E9	



**Safety factors / tests**

hydraulic safety factor	2:1
endurance test tool	1000 cycles of biting in material that cannot be cut
endurance test dead man's handle	6000 cycles

**Standard supplied with**

- Carrying handle with integrated LED lighting
- i-Bolt Technology

**Required articles**

Greenline Battery BPA283	150.005.823
Greenline Battery BPA285	150.006.208
Greenline Battery Charger BCH1	150.182.208
Greenline Battery Charger BCH2	150.182.209
Greenline Battery Charger BCH3	150.182.286

**Accessories**

Mains Power Connector BMC1	150.182.206
Mains Power Connector BMC2	150.182.207
Carrying Strap	150.182.249
Battery Pouch	150.182.214