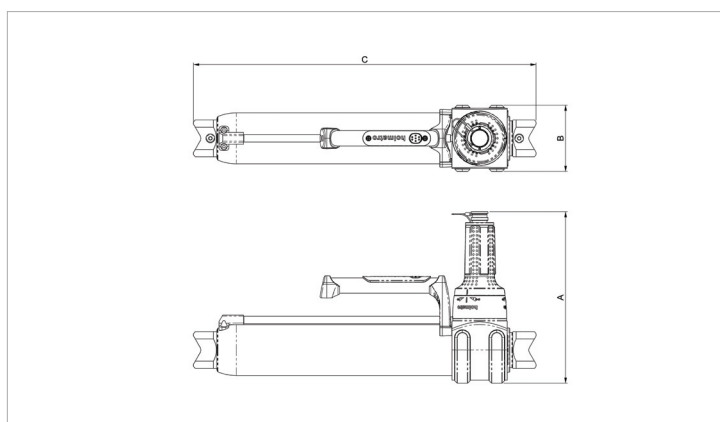


Telescopic Ram | **TR 5350**

Specifications

article number	158.032.034	
model	TR 5350	
short description	Telescopic Ram	
equipped with (connector type)	CORE	
max. working pressure	psi	10443
spreading stroke 1st plunger	in	14.8
spreading stroke 2nd plunger	in	13.8
total spreading stroke	in	28.5
retracted length	in	22
extended length	in	50.6
max. spreading force 1st plunger	lbf	48784
max. spreading force 2nd plunger	lbf	22706
required oil content (effective)	oz	45.8
hydraulic oil type	ISO-L HV VG 15/22	
number of plungers	2	
weight, ready for use	lb	32.2
temperature range	°F	-4 + 131
dimensions (AxBxC)	in	11 x 4.3 x 22
EN 13204 classification	TR217/375-101/350-14.6	
EN 13204 compliant	Yes	
NFPA 1936, HSF	lbf	48784
NFPA 1936, LSF	lbf	22706
NFPA 1936 compliant	Yes	



Safety factors / tests

hydraulic safety factor	2:1
endurance test tool	1000 cycles of spreading while the tool is loaded
endurance test dead man's handle	6000 cycles

Accessories

Laser Ram Head TRLP 01	150.182.333
Ram Support HRS 22	150.181.011
Ram Support HRS 22 NCT	150.003.105

